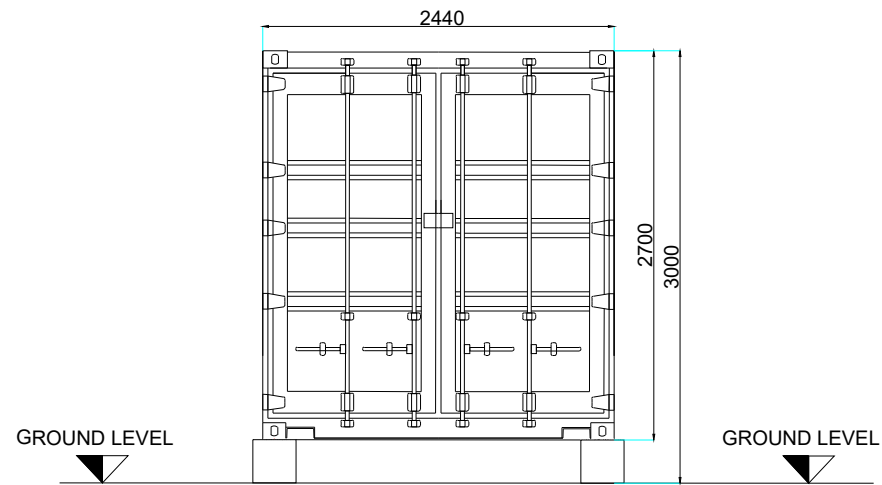


TECHNICAL DETAILS STORAGE CONTAINER  
SCALE 1:50,1:50

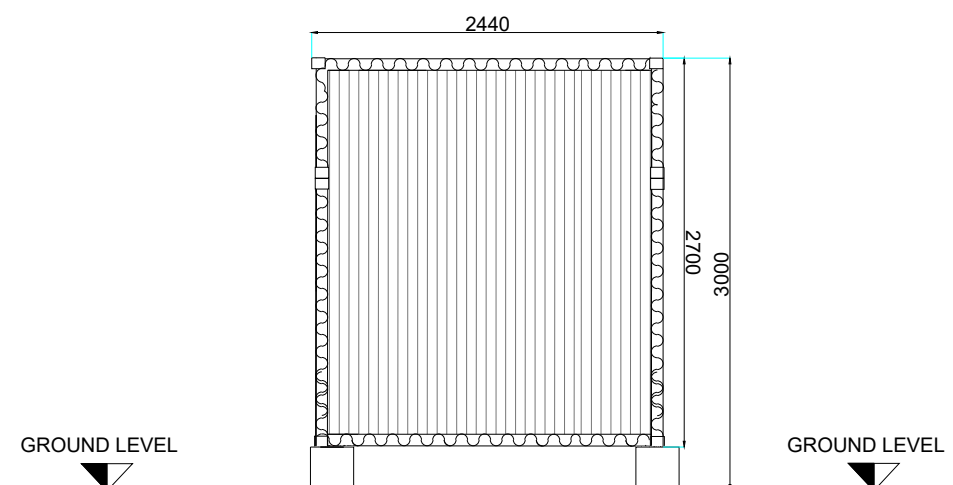
FRONT VIEW - SCALE 1:50

### Front View



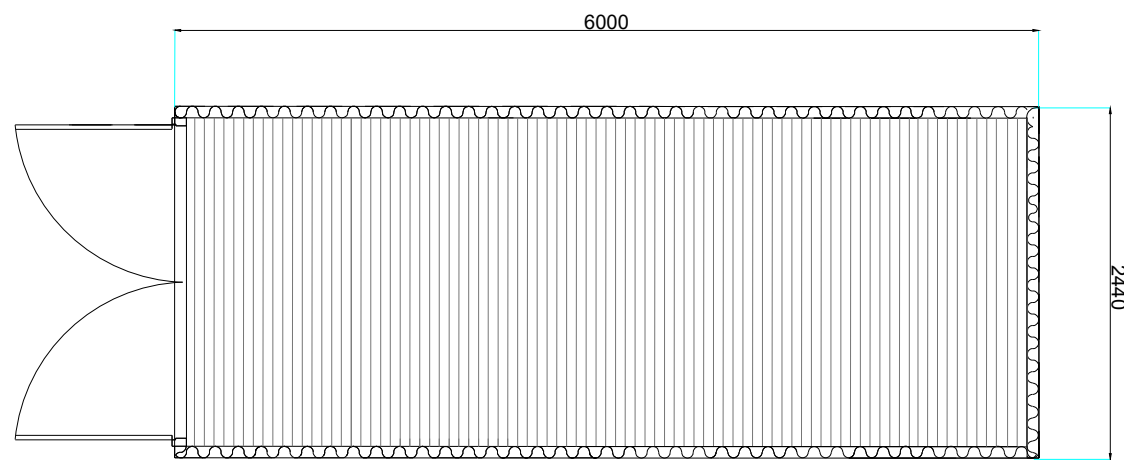
BACK VIEW - SCALE 1:50

### Back View



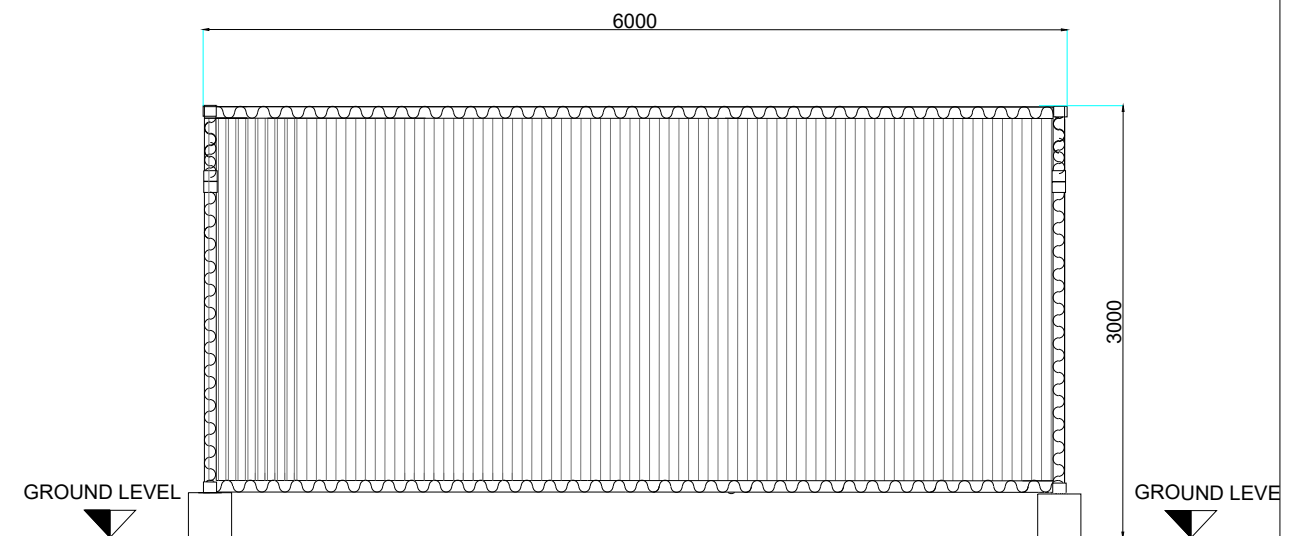
TOP VIEW - SCALE 1:50

### Top View



SIDE VIEWS - SCALE 1:50

### Side View



\* All dimensions shown are in millimeters and are approximate \*

| REV | DRAWN | REVIEWED | APPROVED | CHANGE      | DATE       |
|-----|-------|----------|----------|-------------|------------|
| R0  | SB    | JR       | JR       | First Draft | 04.04.2022 |

**GreenEnco**  
3 Allington Road,  
Harrow, HA2 6AJ.  
www.greenenco.co.uk

DRAWING TITLE:  
TECHNICAL DETAILS - STORAGE CONTAINER

PROJECT NAME & ADDRESS:  
Berrington Solar Project

DRAWING NUMBER:  
PL.010

CUSTOMER:  
**ecenergy**  
Powering renewables.

APPROVAL STAMP:  
STATUS:  
**PLANNING**

SCALE:  
1:50 & 1:50  
FORMAT:  
DIN A3  
SHEET:  
1/1

A3 - (420 x 297)mm